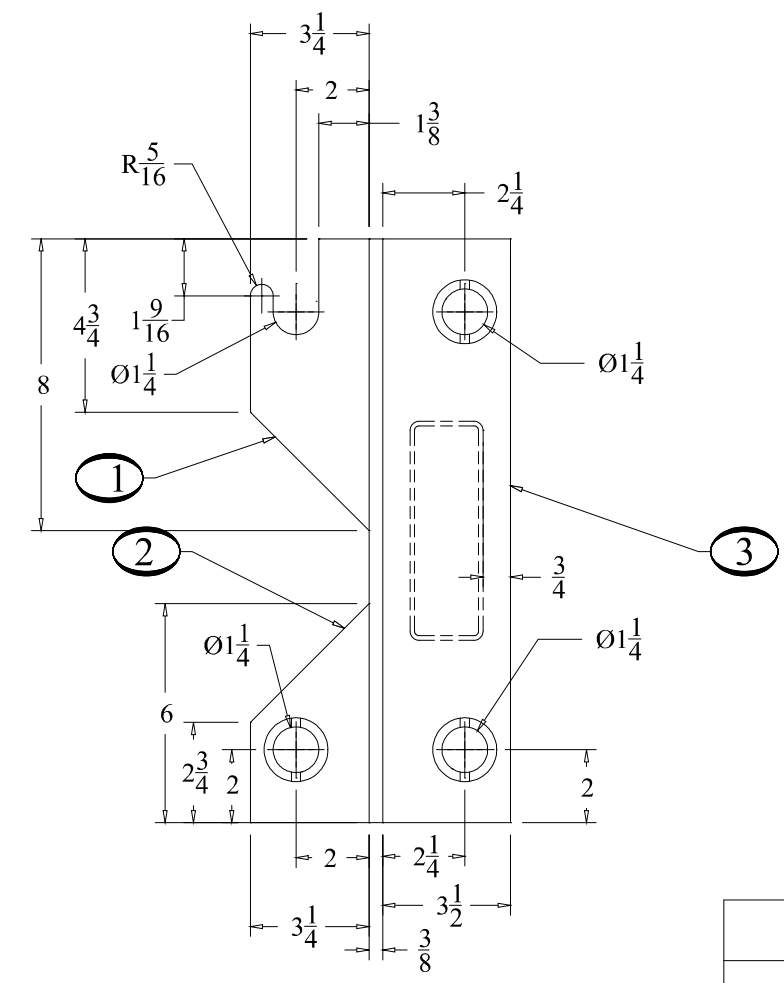
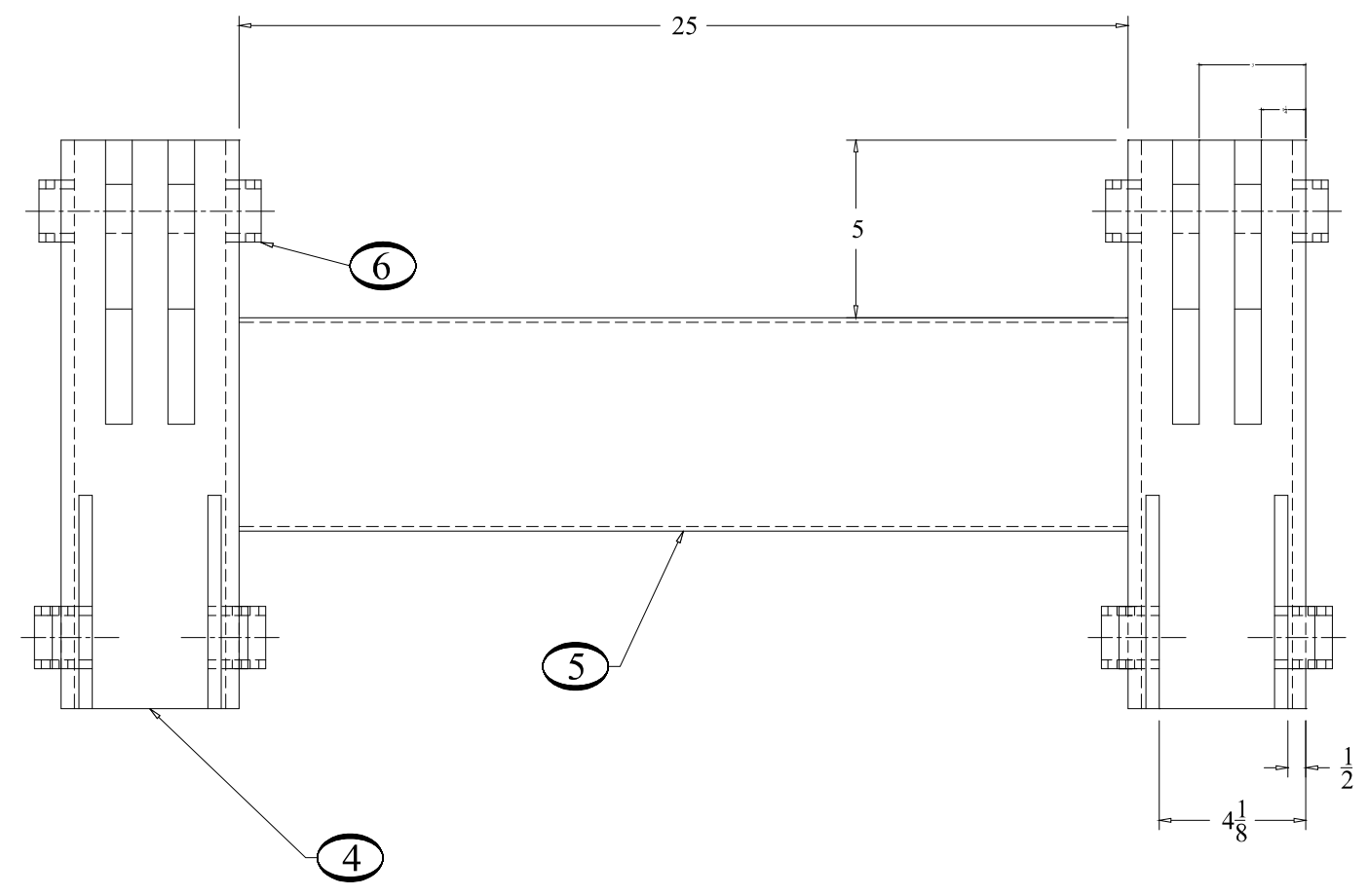
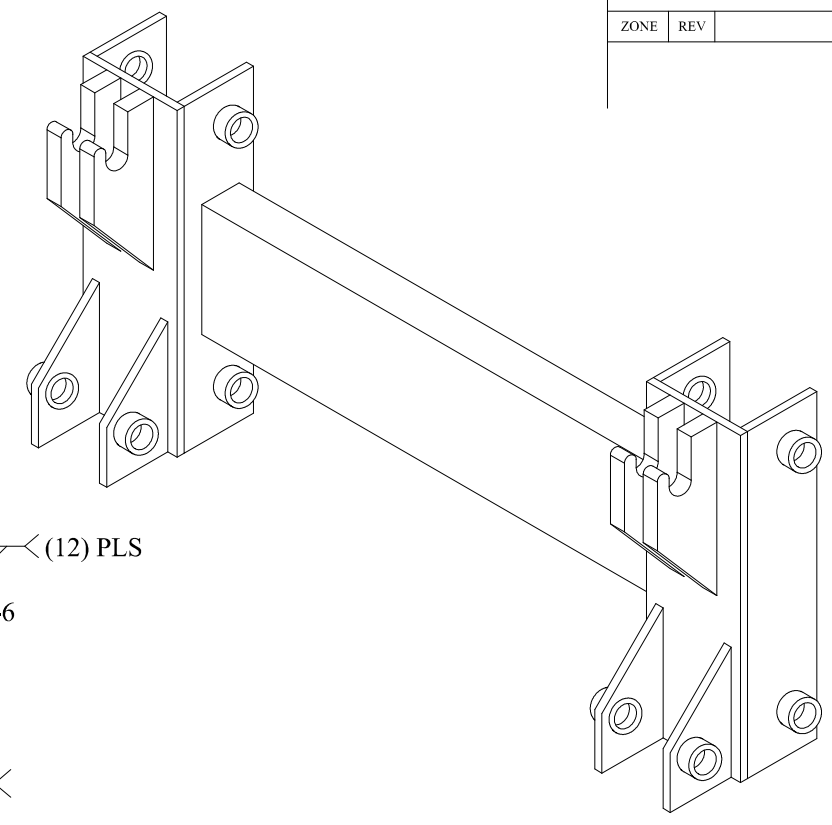
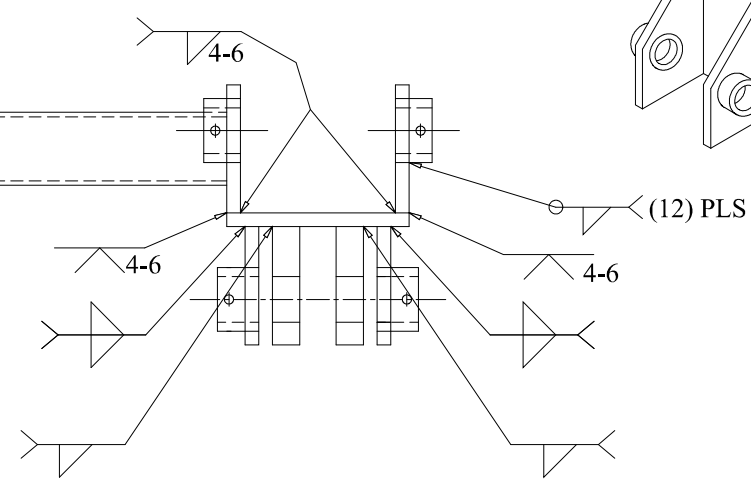
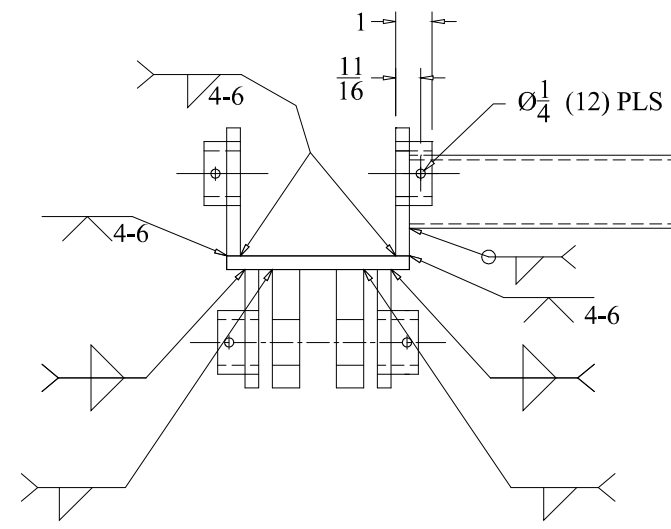


REVISIONS				
ZONE	REV	DESCRIPTION	DATE	APPROVED



ITEM	REQ	NAME OR STOCK SIZE	MATERIAL	SHEET
1	1			1
2	1			1
3	4			1
4	4			1
5	2			4
6	1			1


MK Drafting and Design
 4776 S. Nicolet Rd.
 South Ste. Marie, MI 49783
 www.mkdrafting.com

**QUICK ATTACT BRACKET
 FOR MEDIUM SIZED TRACTORS**

SIZE B	FILE NAME B-110	DWG NO. B-110	REV
SCALE NA	DATE 5-31-05	SHEET 1 OF 1	

This print is the exclusive property of MK Drafting and Design and must be treated as strictly confidential. It is provided to you in confidence, for your use and may not be used, disclosed or copied for others, without written permission from MK Drafting and Design.